

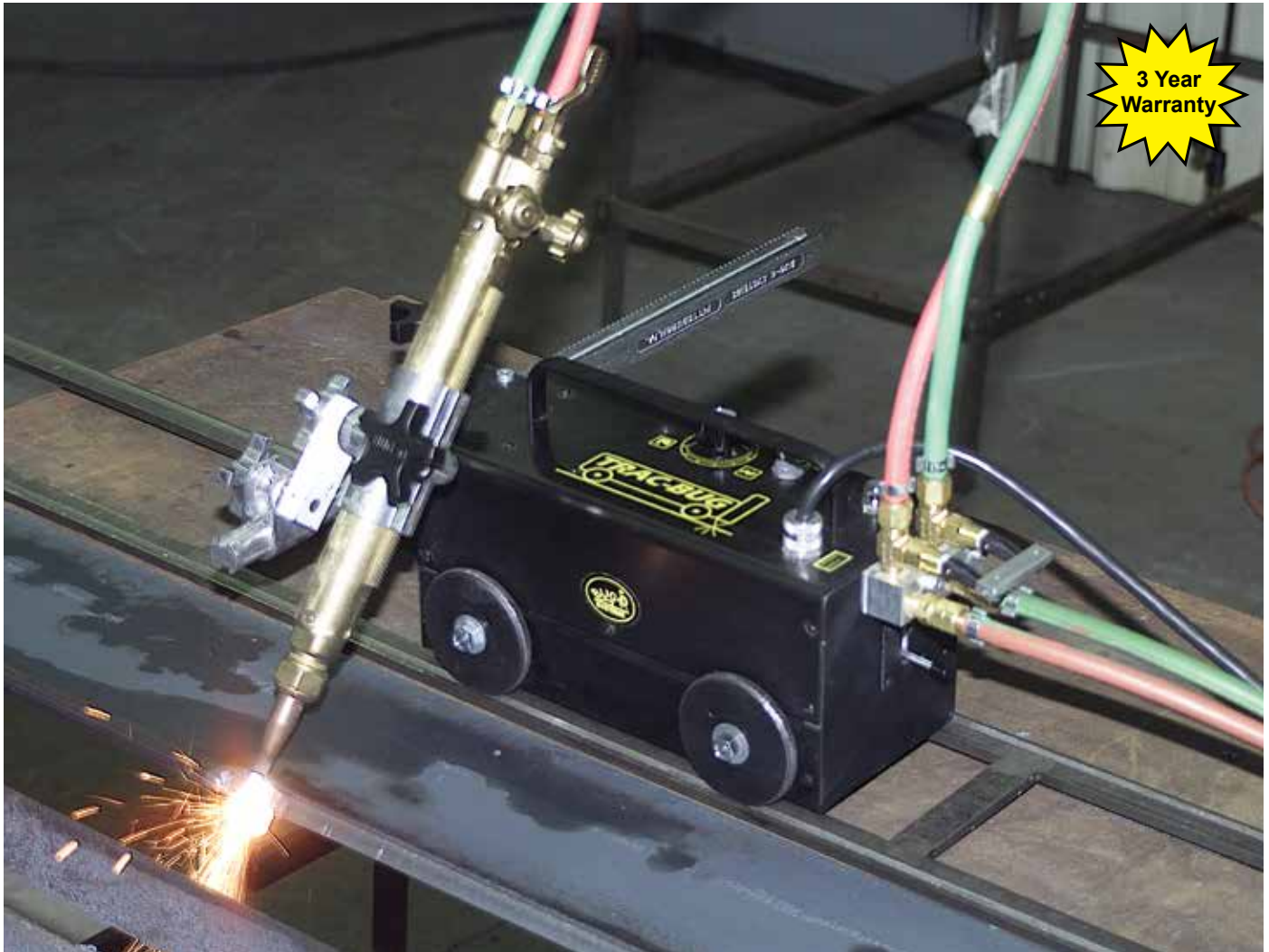
Affordable automation that increases production and improves quality



Trac-Bug MADE IN U.S.A.

Straight Line Track Burning System

Produce machined quality cuts and bevels with Oxy-Fuel or Plasma.



The Trac-Bug is a compact, friction drive cutting system that will ride on standard 6" (152 mm) V-grooved track. Solid state speed control provides smooth, consistent travel speed, producing machined quality cuts. The Trac-Bug is available in two standard kits: One for Ox-fuel cutting and one for Plasma cutting. Each kit includes the tractor with torch support for a 1-3/8" (35 mm) diameter, 32 pitch rack, machine barrel torch, a rail of 71" (1800 mm) and two on/off magnets to quickly secure the rail position. Kits do not include a torch. Cutting and Beveling can be done quickly with a high degree of precision reducing fit up and grinding time. Using this tool will reduce time and costs of your fabrication work while improving overall quality.



B U G - O S Y S T E M S

A DIVISION OF WELD TOOLING CORPORATION



280 TECHNOLOGY DRIVE CANONSBURG, PENNSYLVANIA 15317-9564 USA
PHONE: 412-331-1776 <http://www.bugo.com> FAX: 412-331-0383



Trac-Bug



Trac-Bug Oxy-Fuel Kit - TRB-4000 (120 VAC), TRB-4002 (240 VAC), TRB-4004 (42 VAC)
Includes a quick action manifold, a 32" twin hose assembly, track and two magnets.

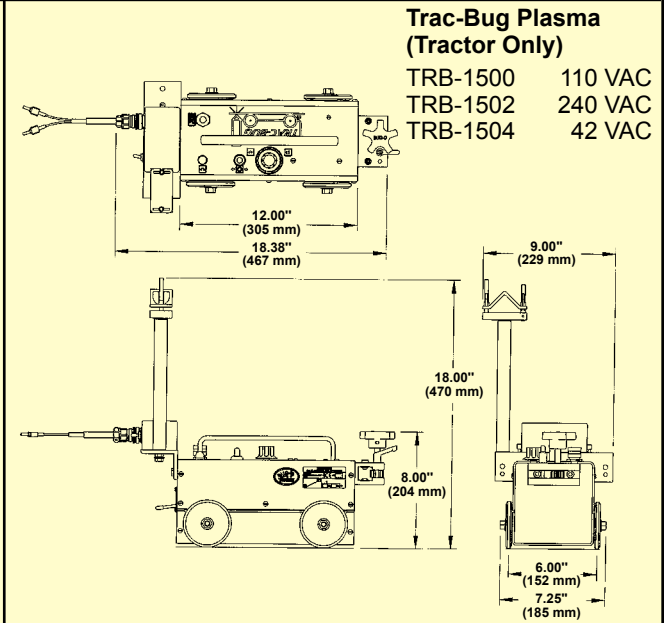
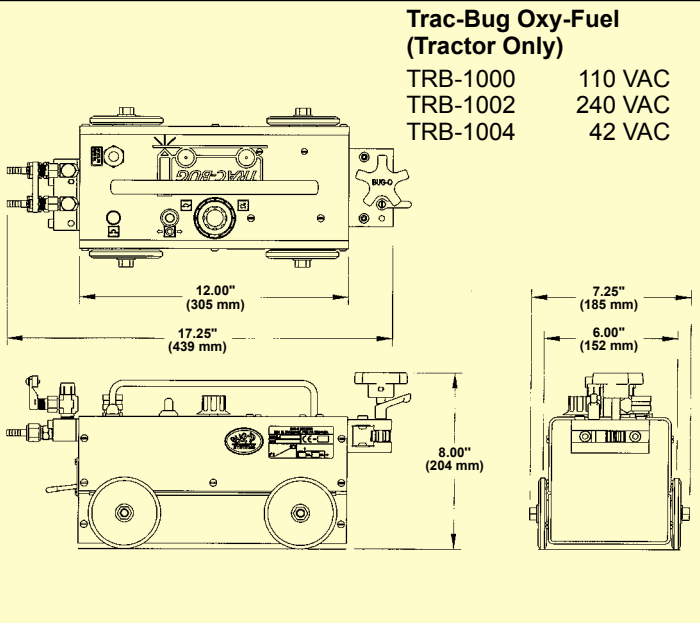


Trac-Bug Plasma Kit - TRB-5000 (120 VAC), TRB-5002 (240 VAC), TRB-5004 (42 VAC)
Includes plasma contactor and cable support, track and two magnets.

Optional **GOF-1085-25-HYP** - 25' contactor cable available.

Technical Specifications:

Travel Speed: 4-72 ipm (100-1800 mm/min) **Net Weight:** 33 lbs. (15 kg) **Shipping Weight:** 38 lbs. (17 kg)



TRB-1250 71" (180 cm) Track

