

Welding & Cutting Innovations Since 1948



Stiffener Welder with Miller Feeders

The Programmable Stiffener Welder with Miller Feeders will weld both sides of a stiffener at the same time, thus doubling production.



The **Stiffener Welder with Miller Feeders** is a self-contained, dual head welding travel carriage with integrated wire feeders and spool mounts. It will produce continuous or programmable intermittent fillet welds on stiffeners with heights of 4" to 18" (102-457 mm) and widths of 4" to 12" (102-305 mm). The unit is self propelled and runs directly on the stiffener. Spring loaded floating torch holders compensate and maintain torch standoff with variations of work piece fit-up. The machine can be used with solid or cored welding wire.

Bug-O Systems is guided by honesty, integrity and ethics in service to our customers and in all we do.

BUG-O SYSTEMS

A DIVISION OF WELD TOOLING CORPORATION



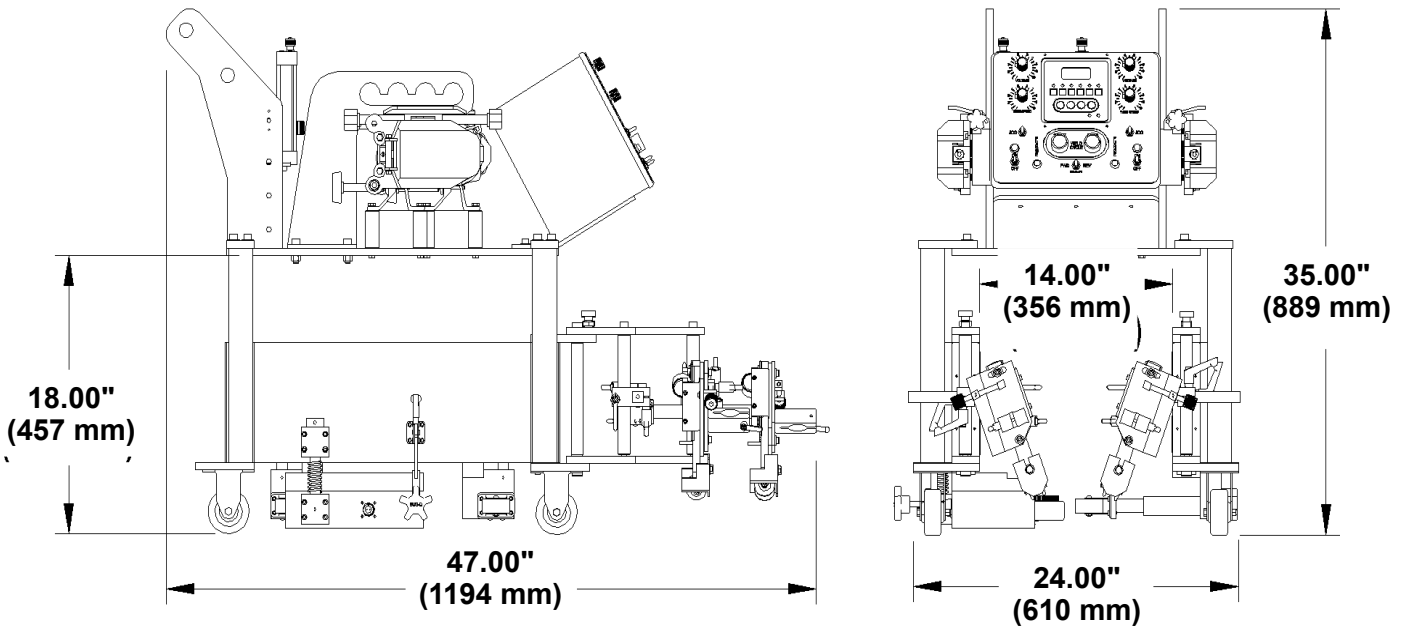
280 TECHNOLOGY DRIVE CANONSBURG, PENNSYLVANIA 15317-9564 USA
PHONE: 412-331-1776 <http://www.bug-o.com> FAX: 412-331-0383





STIFFENER WELDER WITH MILLER FEEDERS

The Programmable Stiffener Welder with Miller Feeders can accommodate wire reel spools from 10 lb. (4.5 kg) to 60 lb. (27.3 kg) and features independent wire feeder controls for voltage, wire feed speed, cold wire jog and gas purge. When intermittent stitch welding is required the Stiffener Welder with Miller Feeders feature programmable control of weld length and travel speed, skip length, reverse drive crater fill, pre-weld and post-weld gas purge times.



Technical Data:

Specify wire size and spool weight when ordering.

STW-2000-XX-XX

↑ Wire Size ↑ Spool Weight

Programmable Weld/Skip Travel Speed: 0"-36" ipm (0-914mm/min)

Programmable Reverse Drive Crater Fill: 0"-1" (0-25 mm)

Programmable Pre-Weld/Post Weld Gas Purge: 0-10 seconds

Stiffener Size Range: 4"-18" High (102-457 mm)
4"-12" Wide (102-305 mm)

Net Weight: 175 lbs. (79.38 kg)

Shipping Weight: 300 lbs. (136.08 kg)

