

MIG/MAG WELDING

REVOLUTION MEGA 1

trafimet
distribution

trafimet
welding & cutting



7,6 m / 25'

V_{peak} 113 **Ø** 0.6 ÷ 1.2
0.023" ÷ .045" **X** 60% 200A CO₂
160A Mix

Motor Voltage 24 V DC Wire speed 3÷20 m/min

CODE	↔	IS
MA1590	7,6 m / 25'	EURO
MA1631	7,6 m / 25'	TWECO®
MA1632	7,6 m / 25'	MILLER®
MA1633	7,6 m / 25'	LINCOLN®

CODE	↔	IS
MA1588	7,6 m / 25'	5/8-18 UNF

Liner included

CODE	KIT
AR0170	Tweco® 1/4 KIT
AR0172	Lincoln® KIT
AR0173	Miller® KIT

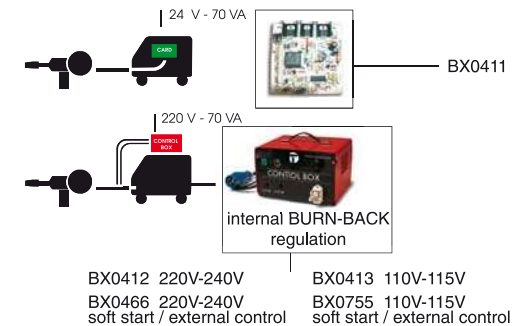
Kit to be assembled by a qualified technician

TORCH + CONTROL BOX 110V - 115V

CODE	↔	IS
DM0021	7,6 m / 25'	EURO
DM0031	7,6 m / 25'	TWECO®
DM0032	7,6 m / 25'	MILLER®
DM0033	7,6 m / 25'	LINCOLN®

TORCH + CONTROL BOX 220V - 240V

CODE	↔	IS
DM0000	7,6 m / 25'	EURO



EN 60974-7



