

## MIG/MAG WELDING

# GPZ PLUS 15

trafimet  
distribution

trafimet  
welding & cutting



7,6 m / 25'

**V peak** 113 **Ø** 0.6 ÷ 1.0  
0.023" ÷ .040" **X** 60% 180A CO<sub>2</sub>  
150A Mix

Motor Voltage 24 V DC Wire speed 3÷20 m/min

CODE	↔	IS
MA1559	7,6 m / 25'	EURO
MA1560T	7,6 m / 25'	TWECO®
MA1560M	7,6 m / 25'	MILLER®
MA1560L	7,6 m / 25'	LINCOLN®

CODE	↔	IS
MA1560	7,6 m / 25'	5/8-18 UNF

Liner included

CODE	KIT
AR0170	Tweco® 1/4 KIT
AR0172	Lincoln® KIT
AR0173	Miller® KIT

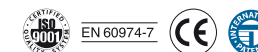
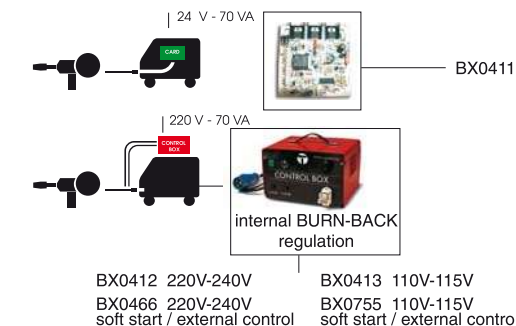
Kit to be assembled by a qualified technician

### TORCH + CONTROL BOX 110V - 115V

CODE	↔	IS
DM0006	7,6 m / 25'	EURO
DM0006T	7,6 m / 25'	TWECO®
DM0006M	7,6 m / 25'	MILLER®
DM0006L	7,6 m / 25'	LINCOLN®

### TORCH + CONTROL BOX 220V - 240V

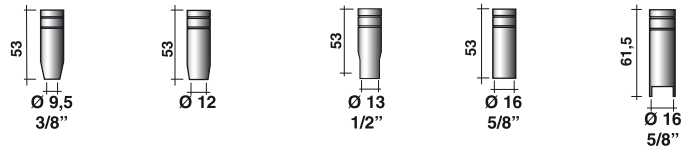
CODE	↔	IS
DM0005	7,6 m / 25'	EURO



Ø mm	Ø in	Cu	Cu-Ni	Cu for Al	CuCrZr
0,6	.023	MD0008-06 (140.0008)	MD0008-36		
0,8	.030	<b>MD0008-08 (140.0059)</b>	MD0008-38	MD0008-58 (141.0002)	MD0008-78 (140.0062)
0,9	.035	MD0008-09 (140.0177)			
1,0	.040	MD0008-10 (140.0253)	MD0008-40	MD0008-60 (141.0007)	MD0008-80 (140.0256)
1,2	.045	MD0008-12 (140.0387)	MD0008-42	MD0008-62	MD0008-82



MC0017 (145.0123)	<b>MC0018 (145.0075)</b>	MC0266 (145.0143)	MC0019 (145.0041)	MC0020 (145.0168)
----------------------	------------------------------	----------------------	----------------------	----------------------



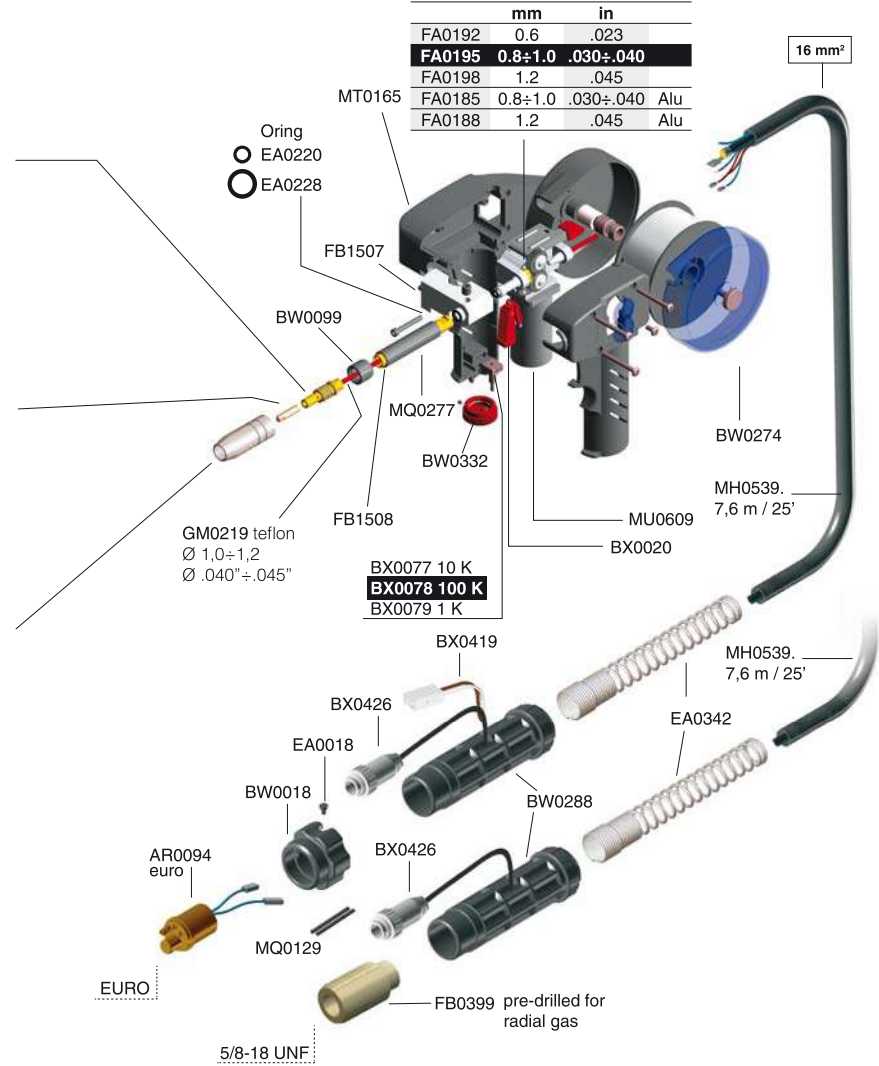
**FB0117**  
brass



EA0303



	mm	in	
FA0192	0.6	.023	
<b>FA0195</b>	<b>0.8±1.0</b>	<b>.030±.040</b>	
FA0198	1.2	.045	
FA0185	0.8±1.0	.030±.040	Alu
FA0188	1.2	.045	Alu



STANDARD

(REF)