

Flux Cored SEFC 350 Amp MIG Gun

MIG GUNS



60% Duty Cycle - CO₂ Carbon Dioxide
Suitable for Medium Duty Fabrication.

WELDING PROCESSES:
MIG (GMAW), Flux Cored (FCAW)

Standard Options Include:

- Rear Connector
- Standard Conductor Tube – Part No. 64FC-60 (Stock No. 1641-1127) on all guns up to 15 ft (4.6 m)
- Conduit Liner – 44 Series

Tweco® Style Rear Connector

Adapter kits are available to fit Tweco rear connection to most wire feeders

Wire Size	Length	Part No.	Stock No.
Up To 3/32" (2.4 mm)	10 ft (3 m)	SEFC350T-10	1031-1642
	15 ft (4.6 m)	SEFC350T-15	1031-1643

Lincoln® Style Rear Connector

Fits Lincoln LN7, 8, 9, SP200

Wire Size	Length	Part No.	Stock No.
Up To 3/32" (2.4 mm)	10 ft (3 m)	SEFC350-10	1031-1632
	15 ft (4.6 m)	SEFC350-15	1031-1633

Some Lincoln wire feeders are assembled with their K1500-2 gun receiving bushing that will accept Tweco Style MIG Guns direct from the factory. Control wire Part No. MS354-DSLJ (Stock No. 2060-2137) Must be ordered separately.

Miller® Style Rear Connector

Wire Size	Length	Part No.	Stock No.
Up To 3/32" (2.4 mm)	10 ft (3 m)	SEFC350M-10	1031-1637
	15 ft (4.6 m)	SEFC350M-15	1031-1638

FEATURES

- **High Impact-Resistant One-Piece "Straight" Handle** allows the welder to locate the trigger at the bottom or top of handle
- **Micro-Switch Trigger Design** incorporates a button style switch for start/stop wire feed
- **Spare Trigger Leads in Cablehoz**
- **Durable & Dependable** for use with all gasless wires
- **Heavy Duty Design** for a wide variety of welding applications
- **Heavy Duty Front End Consumables**
- **Rugged & Durable Power Cablehoz** with proven abrasion & heat resistance
- **Metal "Paddle" Style Trigger Lever**

Flux Cored SEFC 450 Amp MIG Gun



60% Duty Cycle - CO₂ Carbon Dioxide
Suitable for Heavy Duty Fabrication.

WELDING PROCESSES:
MIG (GMAW), Flux Cored (FCAW)

Standard Options Include:

- Rear Connector
- Standard Conductor Tube – Part No. 66FC-60 (Stock No. 1661-1127) on all guns up to 15 ft (4.6 m)
- Conduit Liner – 44 Series

Tweco® Style Rear Connector

Adapter kits are available to fit Tweco rear connection to most wire feeders

Wire Size	Length	Part No.	Stock No.
Up To 1/8" (3.2 mm)	15 ft (4.6 m)	SEFC450T-15	1041-1120

Lincoln® Style Rear Connector

Fits Lincoln LN7, 8, 9, SP200

Wire Size	Length	Part No.	Stock No.
Up To 1/8" (3.2 mm)	15 ft (4.6 m)	SEFC450-15	1041-1113

Some Lincoln wire feeders are assembled with their K1500-2 gun receiving bushing that will accept Tweco Style MIG Guns direct from the factory. Control wire Part No. MS354-DSLJ (Stock No. 2060-2137) Must be ordered separately.

Miller® Style Rear Connector

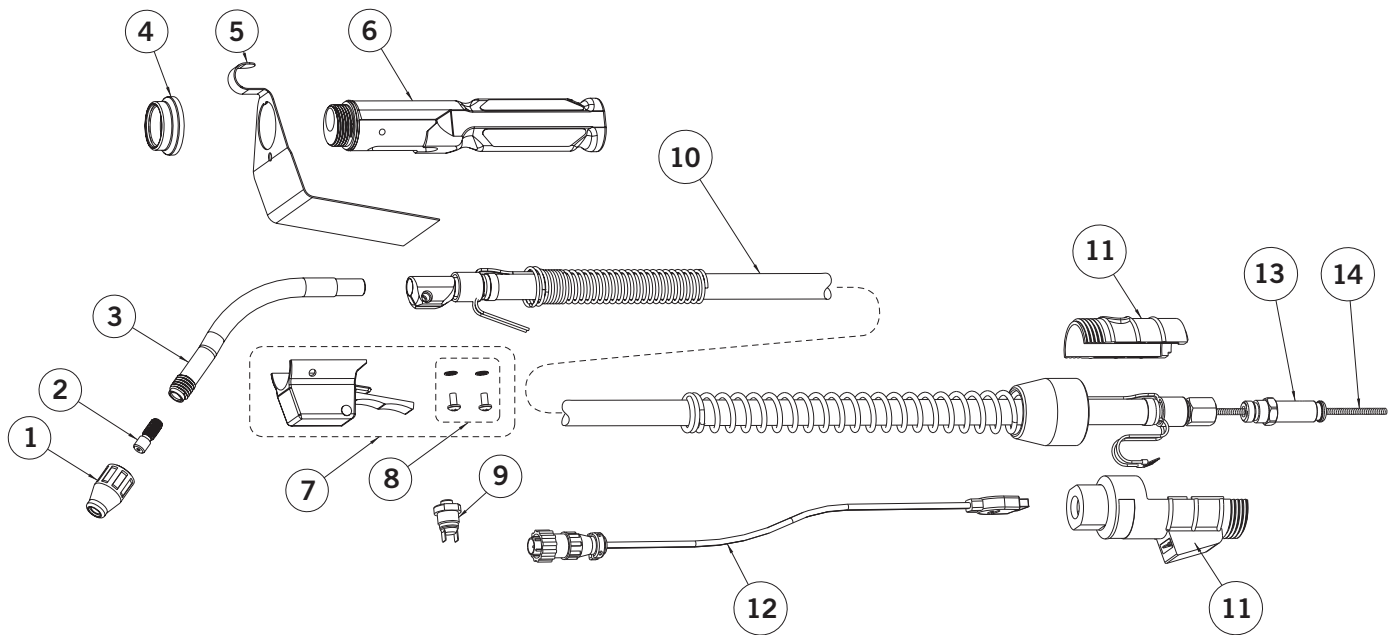
Wire Size	Length	Part No.	Stock No.
Up To 1/8" (3.2 mm)	15 ft (4.6 m)	SEFC450M-15	1041-1139

Rated Output			Wire Size	Cooled	Application Usage
Amps	Duty Cycle	Gas			
450 Amps	60%	CO ₂ Carbon Dioxide	Up To 1/8" (3.2 mm)	Air	Heavy Duty Fabrication

EASY FIND EASY FIND GUIDE
See Page 75 for Replacement Parts & Optional Accessories

Miller is a registered trademark of Illinois Tool Works, Inc. Lincoln is a registered trademark of Lincoln Electric Co. The aforementioned registered trademarks are in no way affiliated with Tweco. Tweco is registered trademark of ESAB.

Flux Cored SEFC Mig Gun Replacement Parts



#	Description	350 Amp		450 Amp	
		Part No.	Stock No.	Part No.	Stock No.
1	Insulated Guide Nozzle, 3/4" (19 mm) Stickout	24FC-150	1241-1027	26FC-150	1261-1026
	Insulated Guide Nozzle, 1-1/2" (38 mm) Stickout	24FC-275	1241-1026	26FC-275	1261-1027
	Thread Protector	24FC-P	1241-1025	26FC-P	1261-1025
2	Contact Tip, .045" (1.2 mm)	14FC-045	1140-1125	N/A	
	Contact Tip, .068" (1.72 mm)	14FC-068	1140-1126	N/A	
	Contact Tip, 5/64" (2.0 mm)	14FC-564	1140-1127	16FC-564	1160-1125
	Contact Tip, 3/32" (2.4 mm)	14FC-332	1140-1128	N/A	
	Contact Tip, 7/64" (2.8 mm)	N/A		16FC-764	1160-1127
	Contact Tip, 1/8" (3.2 mm)	N/A		16FC-120	1160-1128
3	Conductor Tube (60 Degree, Standard)	64FC-60	1641-1127	66FC-60	1661-1127
	Conductor Tube (45 Degree)	64FC-45	1641-1126	66FC-45	1661-1126
	Conductor Tube (180 Degree, Straight)	N/A		66FC-180	1661-1129
4	Heat Shield Nut	SE86FC-R2	2060-2065	SE86FC-R2	2060-2065
5	Heat Shield	156W-HS	2062-2157	156W-HS	2062-2157
6	Handle	SE86FC-H	2060-2063	SE86FC-H	2060-2063
7	Trigger Assembly	SE96	2060-2056	SE96	2060-2056
8	Trigger Housing Screw	SE96-SW	2060-2055	SE96-SW	2060-2055
9	Trigger Switch	SE96-B	2060-2054	SE96-B	2060-2054
10	Cablehoz® Assembly, 10 ft (3 m)	N/A		SEFC450-10C	1741-2125
	Cablehoz Assembly, 15 ft (4.6 m)	SEFC350-15C	1730-2043	SEFC450-15C	1741-2126
11	Rear Case	M6RC	2660-2018	M6RC	2660-2018
12	Control Wire (Tweco®)	MAK-354	2642-2460	MAK-354	2642-2460
	Control Wire (Miller®)	MSAK-354	2642-2470	MSAK-354	2642-2470
	Control Wire (Lincoln®)	LAK-354	2642-2450	LAK-354	2642-2450
13	Connector Plug (Tweco)	FC350-174H	2061-2115	FC450-174H	2061-2116
	Connector Plug (Miller)	FC350-174MH	2061-2117	FC450-174MH	2061-2118
	Connector Plug (Lincoln)	173FCH	2041-2131	176FCH	2041-2132
14	Conduit, 10 ft (3 m) 3/32" (2.4 mm)	43FC-332-10	1440-1030	N/A	
	Conduit, 15 ft (4.6 m) 3/32" (2.4 mm)	43FC-332-15	1440-1031	44FC-332-15	1440-1034
	Conduit, 10 ft (3 m) 1/8" (3.2 mm)	N/A		44FC-18-10	1440-1035
	Conduit, 15 ft (4.6 m) 1/8" (3.2 mm)	N/A		44FC-18-15	1440-1036
NS	Protective Cable Wrap, 50 ft (15 m) per box	TCR50	9900-1150	TCR50	9900-1150

Miller is a registered trademark of Illinois Tool Works, Inc. Lincoln is a registered trademark of Lincoln Electric Co. The aforementioned registered trademarks are in no way affiliated with Tweco. Tweco is registered trademark of ESAB.